

SULZER

Massblatt XFP 201G-CB2 Trockeninstallation

No: AN-M.22.608 - 02

Dimension sheet DRY-WELL Installation

Drawn: 05/08/10 D.Whelan

Dimensioni Installazione a secco

Issue Date: 09/05/2013

Hoja de dimensiones instalación en seco

Änderungen vorbehalten
Technical changes reserved
Con riserva di modifiche
Con reserva de modificaciones
Sous réserve de modification

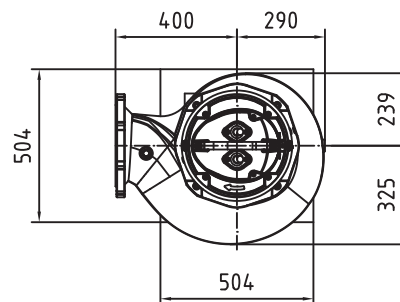
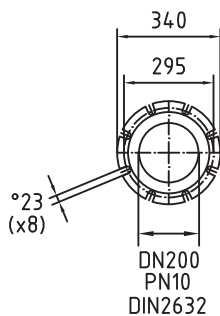
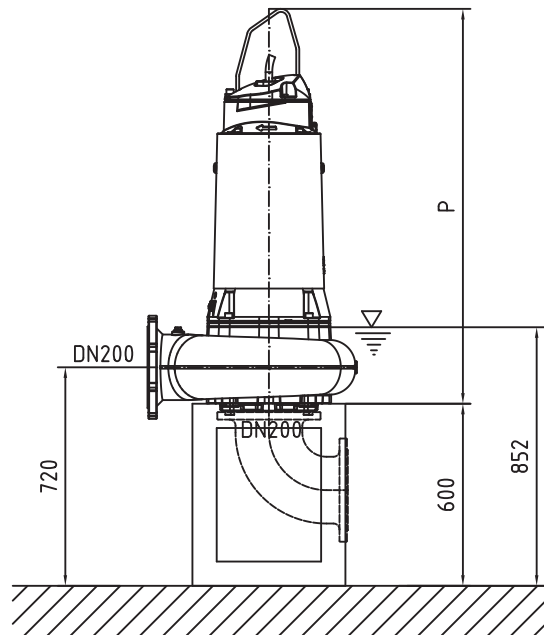
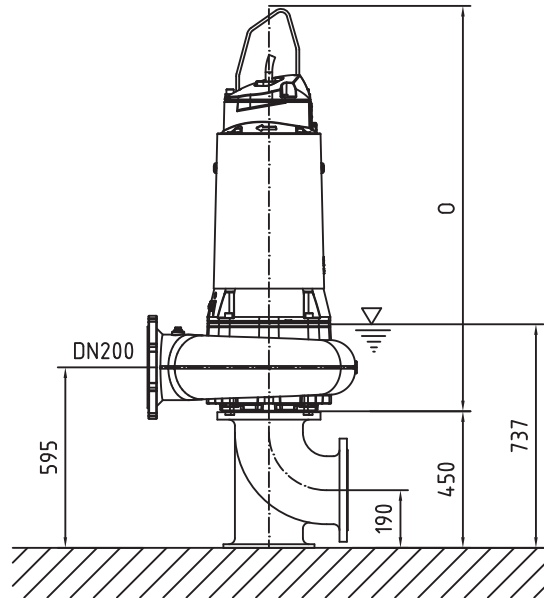
Plan d'encombrement Installation à sec

50 Hz

Typ Type Tipo	Gewicht Weight Poids N.C.J. (kg)	Gewicht Weight Poids W.C.J. (kg)	O (mm)	P (mm)
PE 90/6	380	430	1336	1301
PE 110/6	380	430	1336	1301
PE 140/6	400	450	1336	1301

60 Hz

Typ Type Tipo	Gewicht Weight Poids N.C.J. (kg)	Gewicht Weight Poids W.C.J. (kg)	O (mm)	P (mm)
PE 130/6	390	430	1336	1301
PE 160/6	400	440	1336	1301
PE 200/6	460	500	1376	1341
PE 120/8	400	440	1336	1301

N.C.J. = No Cooling Jacket
W.C.J. = With Cooling Jacket**S.I.**

Gewicht: Beinhaltet Pumpe und Kabel (50 Hz = 10 m; 60 Hz = 15 m)
 Weight: includes pump and cable (50 Hz = 10 m; 60 Hz = 15 m)
 Peso: include pompa e cavo (50 Hz = 10 m; 60 Hz = 15 m)
 Peso: Incluye bomba y cable (50 Hz = 10 m; 60 Hz = 15 m)
 Poids : incluant la pompe et le câble (50 Hz = 10 m; 60 Hz = 15 m)

Guss-Allgemeintoleranzen nach DIN1680 - GTB16
 General tolerances for castings in acc. to DIN1680-GTB16
 Tolleranze generali delle fusioni secondo DIN1680-GTB16
 Tolerancias generales para la fundición seg. de DIN1680-GTB16
 Tolérance générale de la fonderie selon DIN1680-GTB16

SULZER

Massblatt XFP 201G-CB2 Trockeninstallation

No: AN-M.22.608 - 02

Dimension sheet DRY-WELL Installation

Drawn: 05/08/10 D.Wheelan

Dimensioni Installazione a secco

Issue Date: 09/05/2013

Hoja de dimensiones instalación en seco

Änderungen vorbehalten
Technical changes reserved
Con riserva di modifiche
Con reserva de modificaciones
Sous réserve de modification

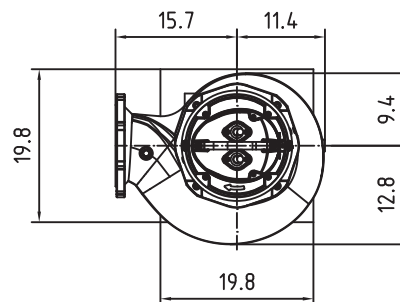
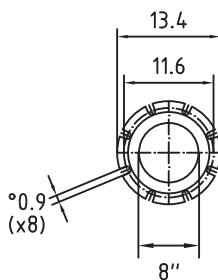
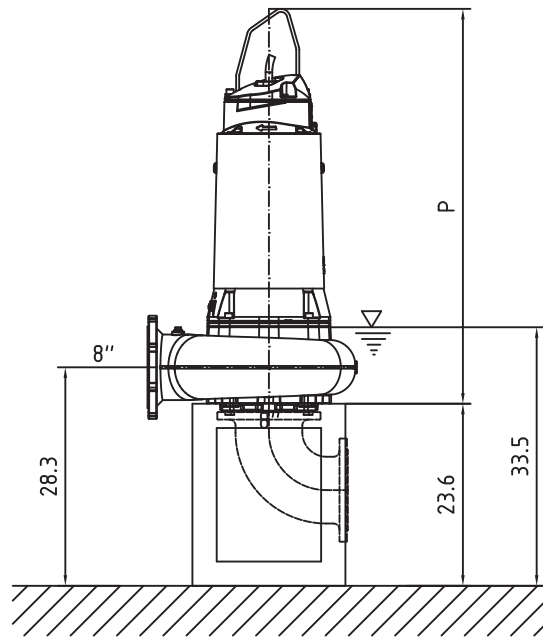
Plan d'encombrement Installation à sec

50 Hz**U.S.**

Typ Type Tipo	Gewicht Weight Poids N.C.J. (lbs)	Gewicht Weight Poids W.C.J. (lbs)	P (")
PE 90/6	836	946	51.2
PE 110/6	836	946	51.2
PE 140/6	882	990	51.2

60 Hz

Typ Type Tipo	Gewicht Weight Poids N.C.J. (lbs)	Gewicht Weight Poids W.C.J. (lbs)	P (")
PE 130/6	860	946	51.2
PE 160/6	882	968	51.2
PE 200/6	1014	1100	52.8
PE 120/8	882	990	51.2

N.C.J. = No Cooling Jacket
W.C.J. = With Cooling Jacket

Gewicht: Beinhaltet Pumpe und Kabel (50 Hz = 10 m; 60 Hz = 15 m)
 Weight: includes pump and cable (50 Hz = 10 m; 60 Hz = 15 m)
 Peso: include pompa e cavo (50 Hz = 10 m; 60 Hz = 15 m)
 Peso: Incluye bomba y cable (50 Hz = 10 m; 60 Hz = 15 m)
 Poids : incluant la pompe et le câble (50 Hz = 10 m; 60 Hz = 15 m)

Guss-Allgemeintoleranzen nach DIN1680 - GTB16
 General tolerances for castings in acc. to DIN1680-GTB16
 Tolleranze generali delle fusioni secondo DIN1680-GTB16
 Tolerancias generales para la fundición seg. de DIN1680-GTB16
 Tolérance générale de la fonderie selon DIN1680-GTB16